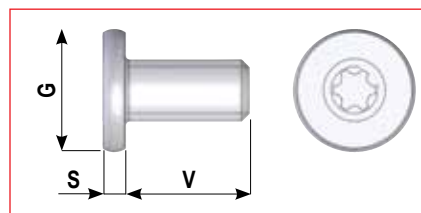


(Example of order code: MR28L - 640)

Code	A (mm)	B (mm)	C (mm)	S (mm)	D (mm)	d (mm)	E (mm)	d2 (mm)	Screw type	Weight (Kg/m)
MRG18S	18	9,5	7,1	2,8				4,5	M4 DIN7991	0,68
MRG18L					9	5	1,9		M4 TORX *	
MR28S	28	12	8	3				5,5	M5 DIN7991	1,25
MR28L					11	6	2		M5 TORX *	
MR43S	43	18	13,2	5				8,5	M8 DIN7991	3,04
MR43L					18	10	3,2		M8 TORX *	

\* Special flat-head TORX screws supplied with rails.

Screw type		G (mm)	S (mm)	V (mm)		Tightening Torque
M4 TORX	M4	8	1,9	8	T20	3,5 Nm
M5 TORX	M5	10	2	10	T25	10 Nm
M8 TORX	M8	16	3	16	T40	20 Nm



Length L (mm)		
MRG18	MR28	MR43
160		
240	240	
320	320	
400	400	400
480	480	480
560	560	560
640	640	640
720	720	720
800	800	800
880	880	880
960	960	960
1040	1040	1040
1120	1120	1120
1200	1200	1200
1280	1280	1280
1360	1360	1360
1440	1440	1440
1520	1520	1520
1600	1600	1600
1680	1680	1680
1760	1760	1760
1840	1840	1840
1920	1920	1920
2000	2000	2000
2080	2080	2080
2160	2160	2160
2240	2240	2240
2320	2320	2320
2400	2400	2400
2480	2480	2480
2560	2560	2560
2640	2640	2640
2720	2720	2720
2800	2800	2800
2880	2880	2880
2960	2960	2960
	3040	3040
	3120	3120
	3200	3200
	3280	3280
	3360	3360
	3440	3440
	3520	3520
	3600	3600
	3680	3680
	3760	3760
	3840	3840
	3920	3920
	4000	4000

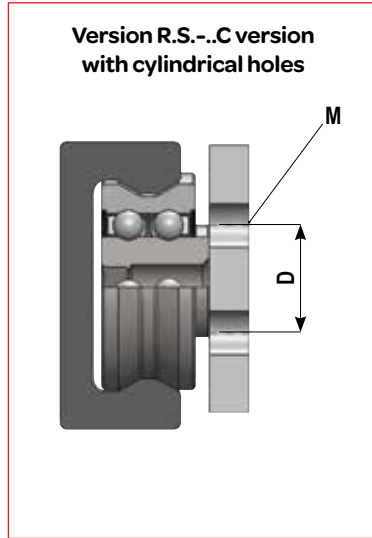
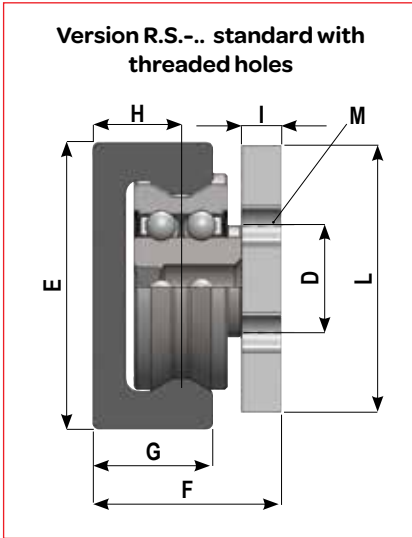
**TECHNICAL DATA**

MR Series Rails are made in 3 sizes 18mm, 28mm and 43mm with two types of mounting holes: MR .. L with counterbored mounting holes for special low head TORX mounting screws that are provided with the rail. MR .. S with countersunk mounting holes for UNI-standard ISO5933 fasteners. The rail has a "C" shaped cross-section with interior, convex raceways. The convex raceways are polished for smooth, low noise motion. The interior raceways are protected from acci-

dental bumps and other damages, that can spoil the surface. The shape also protects the rollers from similar types of damages. MR Series Rails are made from carbon steel that is hardened through high depth nitriding. The rails are then treated with the innovative TRACE-NOX process, which delivers excellent corrosion resistance. This treatment is not a plating which can flake off but instead penetrates and alters the material surface. The result is a very hard and durable, corrosion resistance linear rail, that is black in color, due to the microimpregnation of oil and antioxidants.

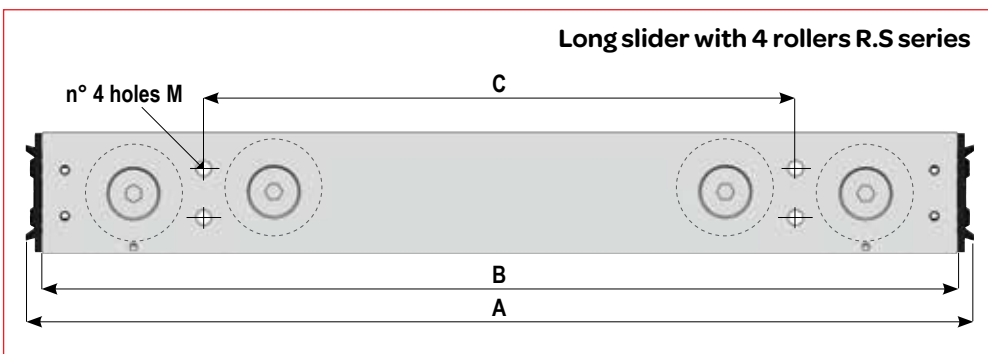
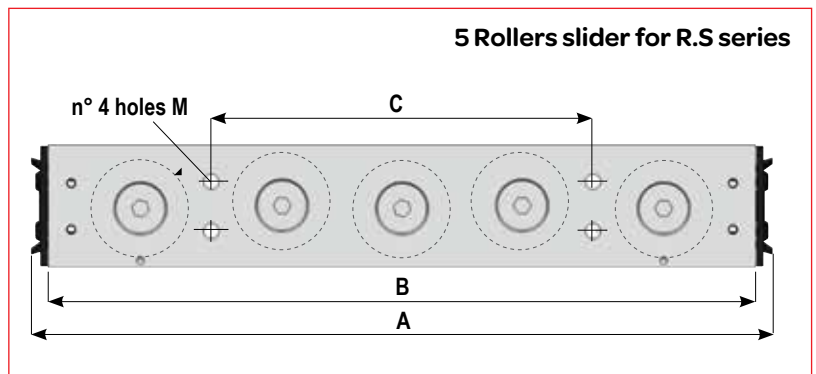
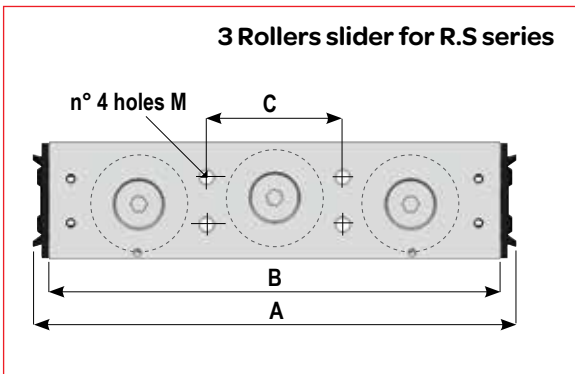
Very compact slider, with slim strong slider body, for application with limited space. Performance like standard R-sliders including self aligning concept. Featuring extra long 4-roller version to optimize performance with only 1 slider, instead of 2 sliders.

## Guiding slider series RVS.



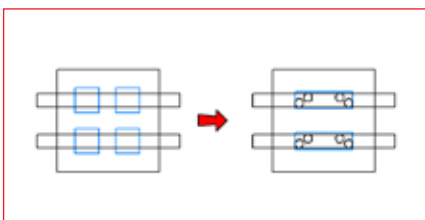
The sliders are available in standard version with threaded fixing holes R.S-.. and in version ...C with through passing holes for inside fixing with standard cylindrical screws DIN912, with no interference with the rollers.

Slider type	M	Type of fixing screws
R.GS18-..	M4	
R.GS18-..C	Ø 4,5	M4 DIN912
R.S.28-..	M5	
R.S.28-..C	Ø 5,5	M5 DIN912
R.S.43-..	M6	
R.S.43-..C	Ø 6,5	M6 DIN912

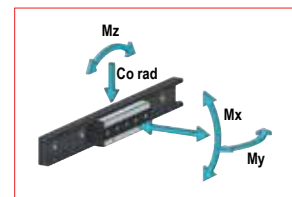


## INOX Versions

The sliders in dimensions 28 and 43 are also available in INOX for version RVSX, RASX and RPSX. The rollers are hardened AISI 440C, while slider body AISI 304. The load capacities are identical to the standard version of RVS and RPS.



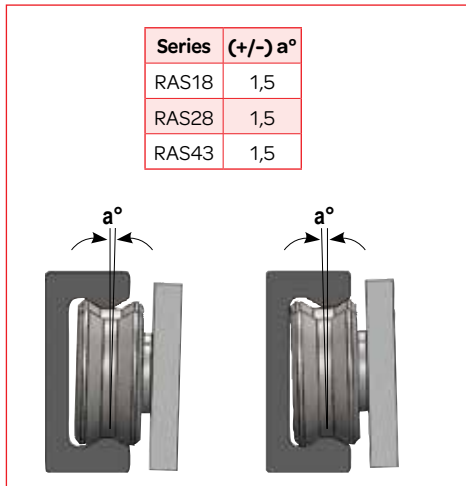
The extra long slider body for 4-roller sliders R.S.-4L are made to offer an economical alternative for the many cases where 2 sliders are used, merely for proportional reasoning, rather than for load capacities. Also, option for very economical sliders for high  $M_z$  and  $M_y$  moment capacities.



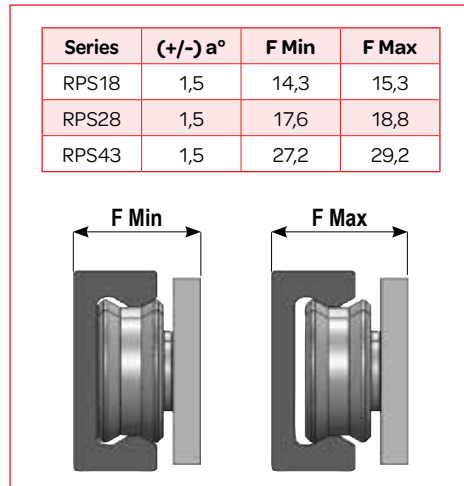
## Example of order codes.

- RVS28-3** : Guiding Slim-slider with 3 roller
- RPS43-4LC** : Extra long rotation Slim-slider with 4 rollers and cylindrical fixing holes
- RVSX28-5** : INOX guiding Slim-slider with 5 rollers

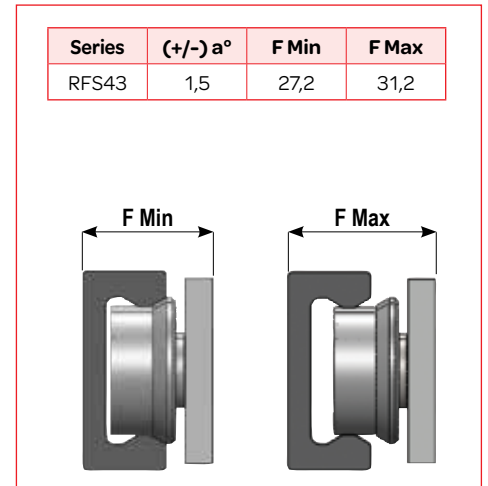
## Rotating slider RAS series



## Floating slider RPS series



## Extra floating slider RFS series



Code	Rail Type	E (mm)	F (mm)	G (mm)	H (mm)	I (mm)	L (mm)	A (mm)	B (mm)	C (mm)	D (mm)	Weight (g)	Dynamic coeff. C (N)	Load capacity													
														Co rad (N)	Co ax (N)	Mx (Nm)	My (Nm)	Mz (Nm)									
RVGS18-3	MRG18	18	14,7	9,5	7,1	3	15	81	73	21	8	75	3300	1600	690	3	9	16									
RPGS18-3													3300	1600	0	0	0	16									
RAGS18-3													3300	1600	460	3	9	16									
RVGS18-5								MRG18	18	14,7	9,5		7,1	3	15	110	102	50	8	120	4455	2160	1150	6	19	49	
RPGS18-5																					4455	2160	0	0	0	49	
RAGS18-5																					4455	2160	690	6	19	49	
RVGS18-4L								MRG18	18	14,7	9,5		7,1	3	15	158	150	98	8		125	3300	1600	920	6	27	78
RPGS18-4L																						3300	1600	0	0	0	78
RAGS18-4L																						3300	1600	460	6	27	78
RVS.28-3.	MR28	28	18,3	12	8	4	25	114	106	32	10	140	6000	3200	1380	9	30	52									
RPS.28-3.													6000	3200	0	0	0	52									
RAS.28-3.													6000	3200	920	9	30	52									
RVS.28-5.								MR28	28	18,3	12		8	4	25	164	156	82	10	210		8100	4320	2300	18	52	130
RPS.28-5.																						8100	4320	0	0	0	130
RAS.28-5.																						8100	4320	1380	18	52	130
RVS.28-4L.								MR28	28	18,3	12		8	4	25	208	200	126	10		230	6000	3200	1840	18	73	202
RPS.28-4L.																						6000	3200	0	0	0	202
RAS.28-4L.																						6000	3200	920	18	73	202
RVS.43-3.	MR43	43	28,2	18	13,2	6	40	164	153	46	16	440	14200	7200	3210	32	98	165									
RPS.43-3.													14200	7200	0	0	0	165									
RAS.43-3.													14200	7200	1240	32	98	165									
RFS.43-3.								MR43	43	28,2	18		13,2	6	40	241	230	124	16	670		14200	7200	0	0	0	165
RVS.43-5.																						19170	9720	5350	64	180	440
RPS.43-5.																						19170	9720	0	0	0	440
RAS.43-5.								MR43	43	28,2	18		13,2	6	40	241	230	124	16		670	19170	9720	3210	64	180	440
RFS.43-5.																						19170	9720	0	0	0	440
RVS.43-4L.																						14200	7200	4280	64	257	698
RPS.43-4L.	MR43	43	28,2	18	13,2	6	40	311	300	194	16	750	14200	7200	0	0	0	698									
RAS.43-4L.													14200	7200	2140	64	257	698									
RFS.43-4L.													14200	7200	0	0	0	698									
RVS.43-4L.													14200	7200	0	0	0	698									