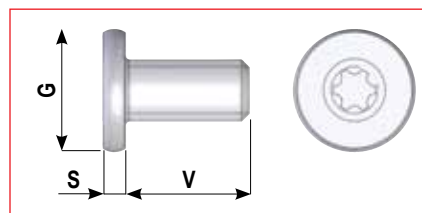


(Example of order code: MR28L - 640)

Code	A (mm)	B (mm)	C (mm)	S (mm)	D (mm)	d (mm)	E (mm)	d2 (mm)	Screw type	Weight (Kg/m)
MRG18S	18	9,5	7,1	2,8				4,5	M4 DIN7991	0,68
MRG18L					9	5	1,9		M4 TORX *	
MR28S	28	12	8	3				5,5	M5 DIN7991	1,25
MR28L					11	6	2		M5 TORX *	
MR43S	43	18	13,2	5				8,5	M8 DIN7991	3,04
MR43L					18	10	3,2		M8 TORX *	

\* Special flat-head TORX screws supplied with rails.

Screw type		G (mm)	S (mm)	V (mm)		Tightening Torque
M4 TORX	M4	8	1,9	8	T20	3,5 Nm
M5 TORX	M5	10	2	10	T25	10 Nm
M8 TORX	M8	16	3	16	T40	20 Nm



Length L (mm)		
MRG18	MR28	MR43
160		
240	240	
320	320	
400	400	400
480	480	480
560	560	560
640	640	640
720	720	720
800	800	800
880	880	880
960	960	960
1040	1040	1040
1120	1120	1120
1200	1200	1200
1280	1280	1280
1360	1360	1360
1440	1440	1440
1520	1520	1520
1600	1600	1600
1680	1680	1680
1760	1760	1760
1840	1840	1840
1920	1920	1920
2000	2000	2000
2080	2080	2080
2160	2160	2160
2240	2240	2240
2320	2320	2320
2400	2400	2400
2480	2480	2480
2560	2560	2560
2640	2640	2640
2720	2720	2720
2800	2800	2800
2880	2880	2880
2960	2960	2960
	3040	3040
	3120	3120
	3200	3200
	3280	3280
	3360	3360
	3440	3440
	3520	3520
	3600	3600
	3680	3680
	3760	3760
	3840	3840
	3920	3920
	4000	4000

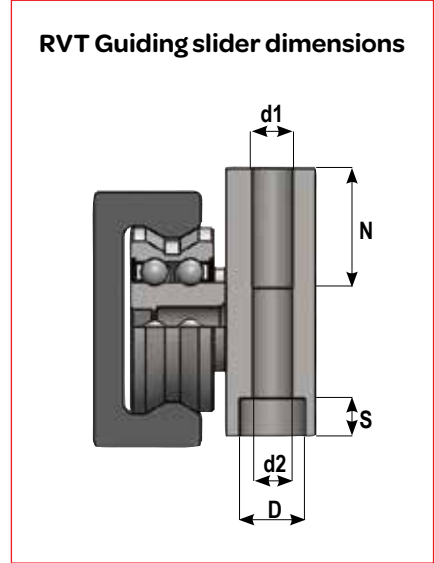
**TECHNICAL DATA**

MR Series Rails are made in 3 sizes 18mm, 28mm and 43mm with two types of mounting holes: MR .. L with counterbored mounting holes for special low head TORX mounting screws that are provided with the rail. MR .. S with countersunk mounting holes for UNI-standard ISO5933 fasteners. The rail has a "C" shaped cross-section with interior, convex raceways. The convex raceways are polished for smooth, low noise motion. The interior raceways are protected from acci-

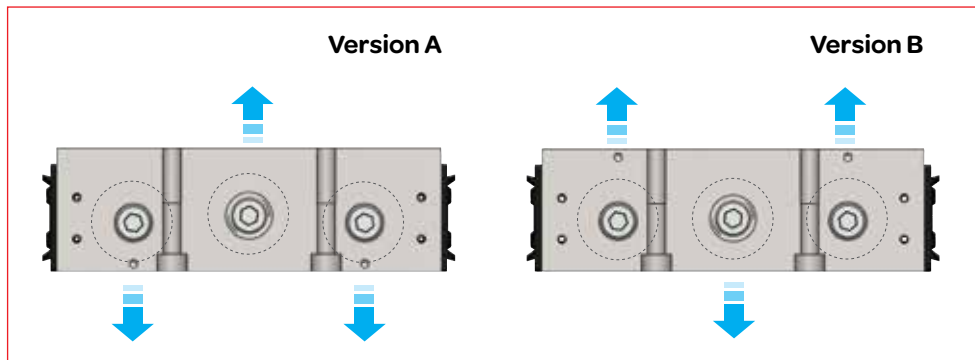
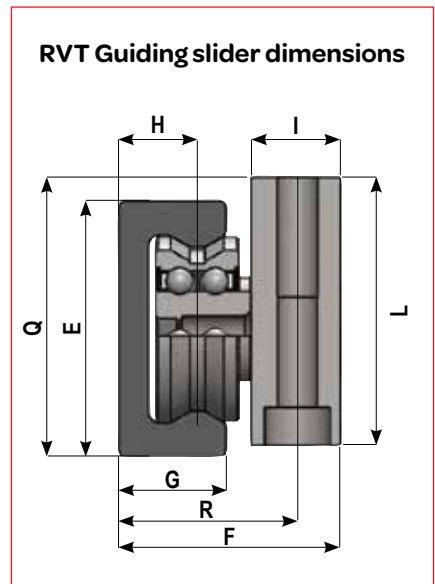
dental bumps and other damages, that can spoil the surface. The shape also protects the rollers from similar types of damages. MR Series Rails are made from carbon steel that is hardened through high depth nitriding. The rails are then treated with the innovative TRACE-NOX process, which delivers excellent corrosion resistance. This treatment is not a plating which can flake off but instead penetrates and alters the material surface. The result is a very hard and durable, corrosion resistance linear rail, that is black in color, due to the microimpregnation of oil and antioxidants.

Sliders of series RVT, RAT, RPT, RFT, provide fixing holes parallel to the preferable radial load direction. As the slider body protrudes from rail level, the moving part can be resting on top of the linear system, while being fixed from above with threaded holes or from below with through passing holes.

Slider type	Threaded holes for top mounting		Passing holes for bottom mounting, screw UNI 5931			
	d1 (mm)	N (mm)	Tipo vite	d2 (mm)	S (mm)	D (mm)
R.T28-3	M6	15	M5	Ø5,5	5	Ø9
R.T28-5						
R.T43-3	M8	20	M6	Ø6,5	6,5	Ø11
R.T43-5						



The A and B versions differ only in the arrangement of the rollers providing maximum radial load capacity either toward or against the mounting surface. The preferential loading direction is marked by two circular notches. (Ordering code example: RVT28-3A or RVT28-3B) The slider body allows two methods of mounting. One method is to pass a fastener through the counterbored hole into the payload or to pass a fastener through the payload into the tapped hole at M.



### Rotation slider series RAT

Series	(+/-) a°
RAT28	1,5
RAT43	1,5

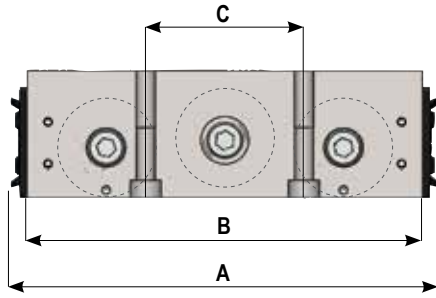
### Floating slider series RPT

Series	(+/-) a°	F Min	F Max
RPT28	1,5	23,7	24,9
RPT43	1,5	36,2	38,2

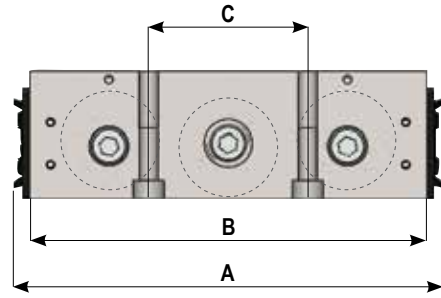
### Extra floating slider series RFT

Series	(+/-) a°	F Min	F Max
RFT43	1,5	36,2	40,2

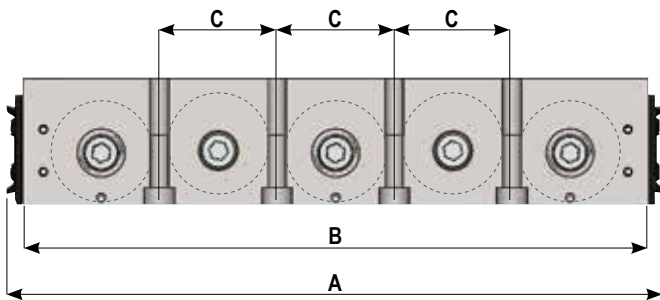
3 Rollers slider for R.T series – Version A



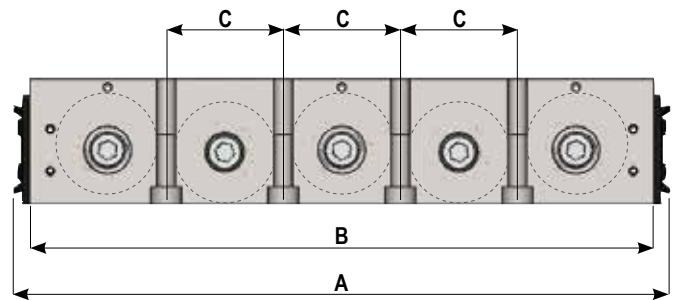
3 Rollers slider for R.T series – Version B



5 Rollers slider for R.T series – Version A



5 Rollers slider for R.T series – Version A



Code	Rail	E (mm)	F (mm)	G (mm)	H (mm)	I (mm)	L (mm)	N (mm)	Q (mm)	R (mm)	A (mm)	B (mm)	C (mm)	Weight (g)	Dynamic coeff. C (N)	Load capacity				
																Co rad (N)	Co ax (N)	Mx (Nm)	My (Nm)	Mz (Nm)
RVT28-3.	MR28	28	24,3	12	8	10	30	15	32	19,5	102	94	36	280	6000	3200	1380	9	27	46
RPT28-3.															6000	3200	0	0	0	46
RAT28-3.															6000	3200	920	9	27	46
RVT28-5.															8100	4320	2300	18	46	120
RPT28-5.															8100	4320	0	0	0	120
RAT28-5.	8100	4320	1380	18	46	120														
RVT43-3.	MR43	43	37,2	18	13,2	15	45	20	47	30	151	140	56	860	14200	7200	3210	32	92	155
RPT43-3.															14200	7200	0	0	0	155
RAT43-3.															14200	7200	2140	32	92	155
RFT43-3.															14200	7200	0	0	0	155
RVT43-5.															19170	9720	5350	64	165	418
RPT43-5.	235	224	42	1200	19170	9720	0	0	0	418										
RAT43-5.					19170	9720	3210	64	165	418										
RFT43-5.					19170	9720	0	0	0	418										

Example of order code.

RVT28-3B : Guiding slider with 3 roller, version B

